

logo

NTDB id 1410 SGL RS13950 WP 010873519.1	MSVLTIGDKRLGAALLDAGLLTDEELQRALERHREVGGSLAEVLVDMGLLSERRIAQTIEDRFGIPLVELHRVEIPPKVK	0
NTDB id 1028 TT RS08215 WP 011173991.1	MSVLTIGDKRLGAALLDAGLLTDEELQRALERHREVGGSLAEVLVDMGLLSERRIAQTIEDRFGIPLVELHRVEIPPKVK	80
NTDB id 1168 A1552VC RS11070 WP 000957200.1	.....	0
NTDB id 1293 VP RS12240 WP 005479695.1	.....	0
NTDB id 1401 DSB67 RS12665 WP 010643259.1	.....	0
NTDB id 1110 NGFG RS09235 WP 003689817.1	.....	0
NTDB id 1251 GC085 RS07725 WP 011946523.1	.....	0
NTDB id 392185 GA721 RS12665 WP 160243588.1	.....	0
NTDB id 1058 ABD1 RS01615 WP 001274986.1	.....	0
NTDB id 1018 ACIAD RS01685 WP 004920473.1	.....	0
consensus	.....	0

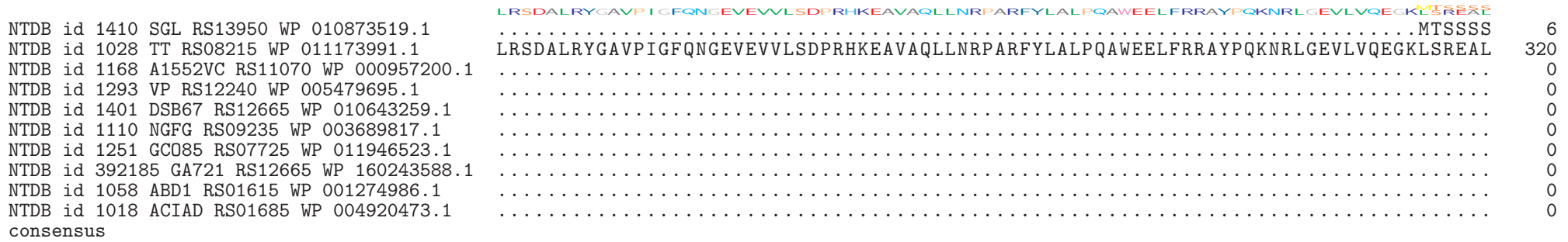
logo

NTDB id 1410 SGL RS13950 WP 010873519.1	ALLPAEKAKELKAIPFALDEEAGVVRVAFNLPLDTLSLEEVEDLTGLVVEPYQTTKSAFLYALAKHYPELGLPVPPPPSG	0
NTDB id 1028 TT RS08215 WP 011173991.1	ALLPAEKAKELKAIPFALDEEAGVVRVAFNLPLDTLSLEEVEDLTGLVVEPYQTTKSAFLYALAKHYPELGLPVPPPPSG	160
NTDB id 1168 A1552VC RS11070 WP 000957200.1	.....	0
NTDB id 1293 VP RS12240 WP 005479695.1	.....	0
NTDB id 1401 DSB67 RS12665 WP 010643259.1	.....	0
NTDB id 1110 NGFG RS09235 WP 003689817.1	.....	0
NTDB id 1251 GC085 RS07725 WP 011946523.1	.....	0
NTDB id 392185 GA721 RS12665 WP 160243588.1	.....	0
NTDB id 1058 ABD1 RS01615 WP 001274986.1	.....	0
NTDB id 1018 ACIAD RS01685 WP 004920473.1	.....	0
consensus	.....	0

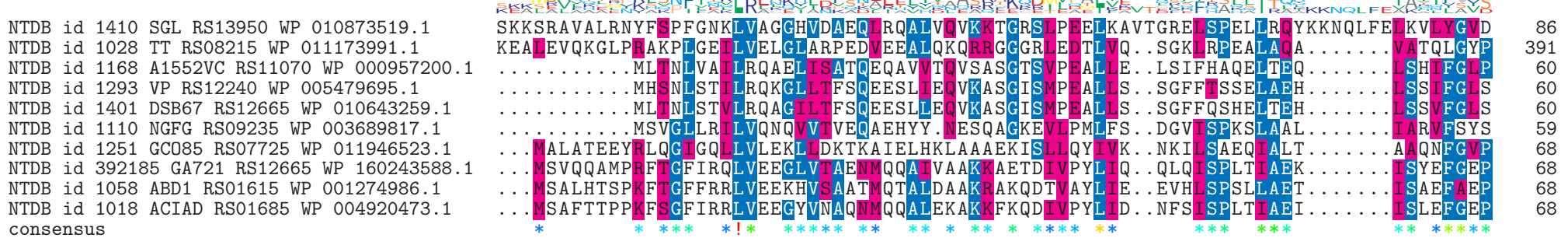
logo

NTDB id 1410 SGL RS13950 WP 010873519.1	EGQKDLKLGELLQKGIWISREALEEALVEQEKTDLLGRILVRKGLPEEALYRALAEQKLEFLESTEGIVDPDPSAALLL	0
NTDB id 1028 TT RS08215 WP 011173991.1	EGQKDLKLGELLQKGIWISREALEEALVEQEKTDLLGRILVRKGLPEEALYRALAEQKLEFLESTEGIVDPDPSAALLL	240
NTDB id 1168 A1552VC RS11070 WP 000957200.1	.....	0
NTDB id 1293 VP RS12240 WP 005479695.1	.....	0
NTDB id 1401 DSB67 RS12665 WP 010643259.1	.....	0
NTDB id 1110 NGFG RS09235 WP 003689817.1	.....	0
NTDB id 1251 GC085 RS07725 WP 011946523.1	.....	0
NTDB id 392185 GA721 RS12665 WP 160243588.1	.....	0
NTDB id 1058 ABD1 RS01615 WP 001274986.1	.....	0
NTDB id 1018 ACIAD RS01685 WP 004920473.1	.....	0
consensus	.....	0

logo



logo

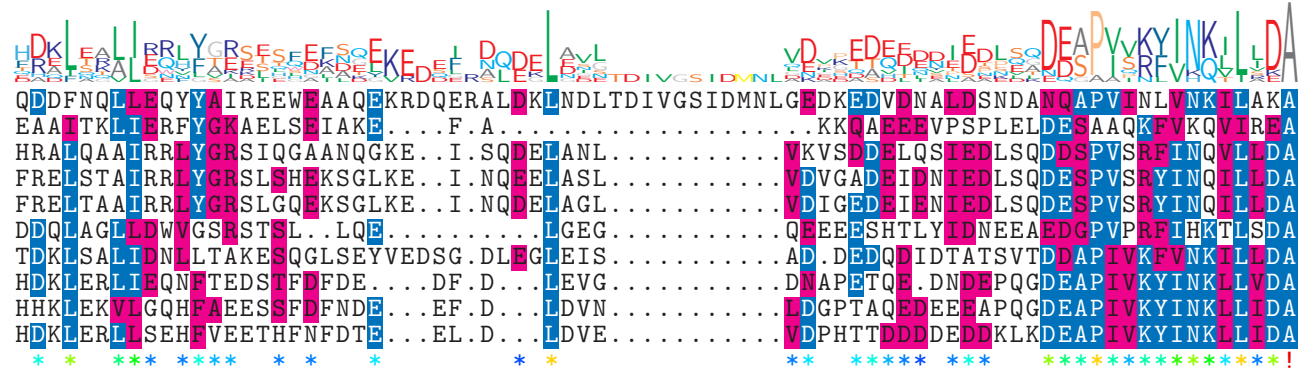


logo



logo

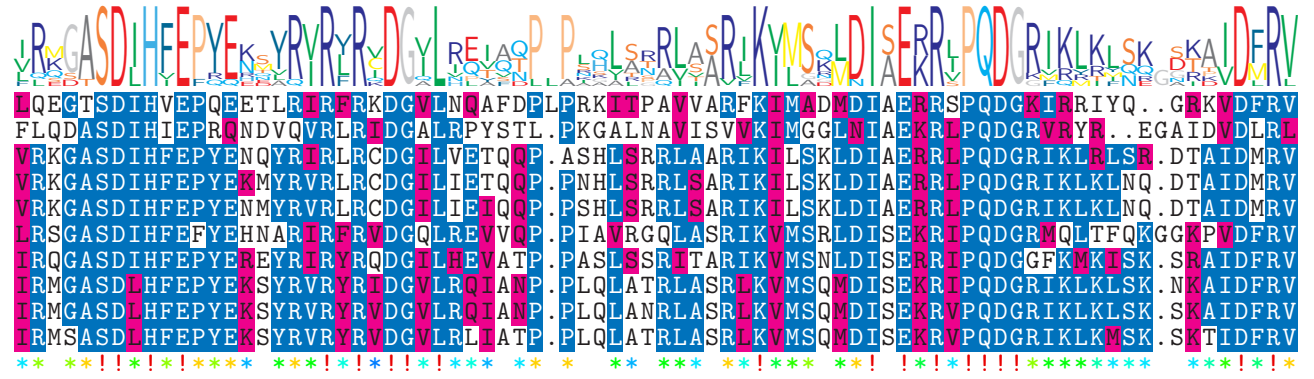
NTDB id 1410 SGL RS13950 WP 010873519.1  
 NTDB id 1028 TT RS08215 WP 011173991.1  
 NTDB id 1168 A1552VC RS11070 WP 000957200.1  
 NTDB id 1293 VP RS12240 WP 005479695.1  
 NTDB id 1401 DSB67 RS12665 WP 010643259.1  
 NTDB id 1110 NGFG RS09235 WP 003689817.1  
 NTDB id 1251 GC085 RS07725 WP 011946523.1  
 NTDB id 392185 GA721 RS12665 WP 160243588.1  
 NTDB id 1058 ABD1 RS01615 WP 001274986.1  
 NTDB id 1018 ACIAD RS01685 WP 004920473.1  
 consensus



244  
518  
193  
193  
193  
183  
202  
195  
197  
197

logo

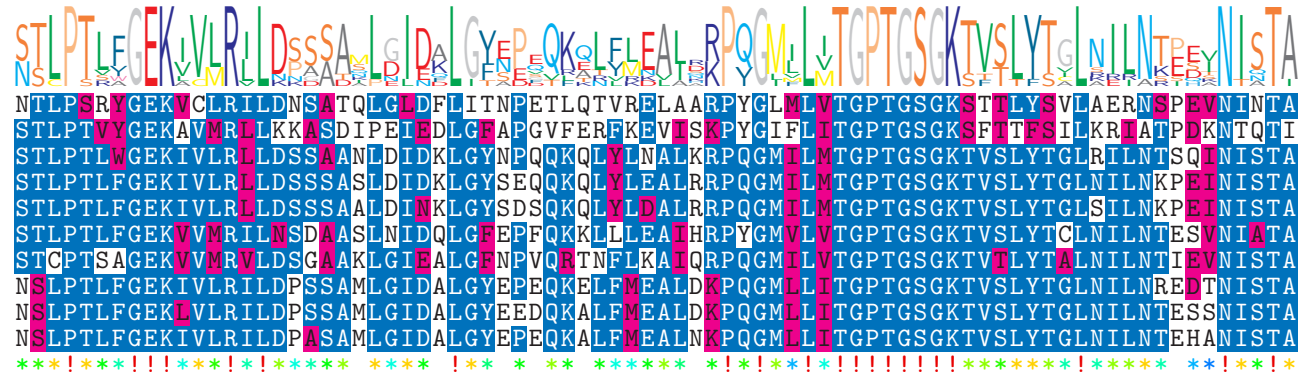
NTDB id 1410 SGL RS13950 WP 010873519.1  
 NTDB id 1028 TT RS08215 WP 011173991.1  
 NTDB id 1168 A1552VC RS11070 WP 000957200.1  
 NTDB id 1293 VP RS12240 WP 005479695.1  
 NTDB id 1401 DSB67 RS12665 WP 010643259.1  
 NTDB id 1110 NGFG RS09235 WP 003689817.1  
 NTDB id 1251 GC085 RS07725 WP 011946523.1  
 NTDB id 392185 GA721 RS12665 WP 160243588.1  
 NTDB id 1058 ABD1 RS01615 WP 001274986.1  
 NTDB id 1018 ACIAD RS01685 WP 004920473.1  
 consensus



322  
595  
271  
271  
271  
262  
280  
273  
275  
275

logo

NTDB id 1410 SGL RS13950 WP 010873519.1  
 NTDB id 1028 TT RS08215 WP 011173991.1  
 NTDB id 1168 A1552VC RS11070 WP 000957200.1  
 NTDB id 1293 VP RS12240 WP 005479695.1  
 NTDB id 1401 DSB67 RS12665 WP 010643259.1  
 NTDB id 1110 NGFG RS09235 WP 003689817.1  
 NTDB id 1251 GC085 RS07725 WP 011946523.1  
 NTDB id 392185 GA721 RS12665 WP 160243588.1  
 NTDB id 1058 ABD1 RS01615 WP 001274986.1  
 NTDB id 1018 ACIAD RS01685 WP 004920473.1  
 consensus



402  
675  
351  
351  
351  
342  
360  
353  
355  
355

logo

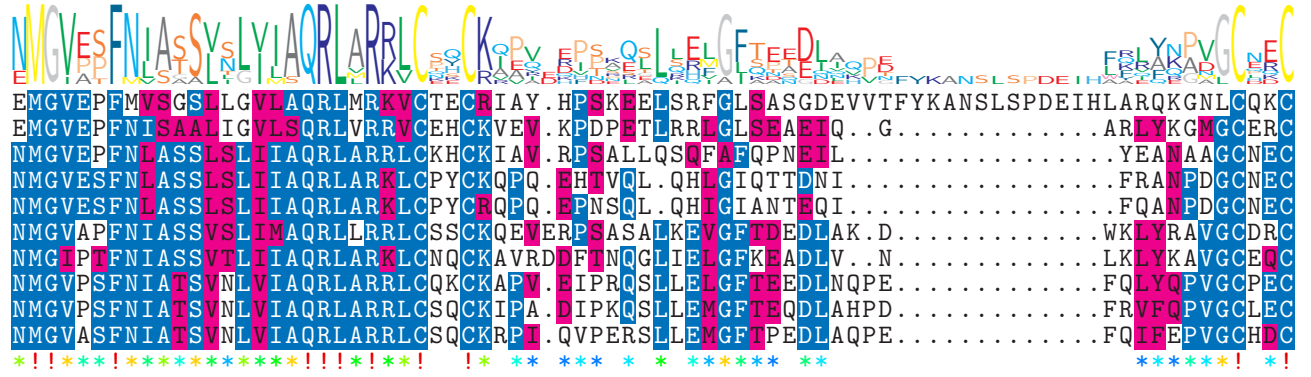
NTDB id 1410 SGL RS13950 WP 010873519.1  
 NTDB id 1028 TT RS08215 WP 011173991.1  
 NTDB id 1168 A1552VC RS11070 WP 000957200.1  
 NTDB id 1293 VP RS12240 WP 005479695.1  
 NTDB id 1401 DSB67 RS12665 WP 010643259.1  
 NTDB id 1110 NGFG RS09235 WP 003689817.1  
 NTDB id 1251 GC085 RS07725 WP 011946523.1  
 NTDB id 392185 GA721 RS12665 WP 160243588.1  
 NTDB id 1058 ABD1 RS01615 WP 001274986.1  
 NTDB id 1018 ACIAD RS01685 WP 004920473.1  
 consensus



482  
755  
431  
431  
431  
422  
440  
433  
435  
435

logo

NTDB id 1410 SGL RS13950 WP 010873519.1  
 NTDB id 1028 TT RS08215 WP 011173991.1  
 NTDB id 1168 A1552VC RS11070 WP 000957200.1  
 NTDB id 1293 VP RS12240 WP 005479695.1  
 NTDB id 1401 DSB67 RS12665 WP 010643259.1  
 NTDB id 1110 NGFG RS09235 WP 003689817.1  
 NTDB id 1251 GC085 RS07725 WP 011946523.1  
 NTDB id 392185 GA721 RS12665 WP 160243588.1  
 NTDB id 1058 ABD1 RS01615 WP 001274986.1  
 NTDB id 1018 ACIAD RS01685 WP 004920473.1  
 consensus



561  
819  
493  
492  
492  
488  
505  
499  
501  
501

logo

NTDB id 1410 SGL RS13950 WP 010873519.1  
 NTDB id 1028 TT RS08215 WP 011173991.1  
 NTDB id 1168 A1552VC RS11070 WP 000957200.1  
 NTDB id 1293 VP RS12240 WP 005479695.1  
 NTDB id 1401 DSB67 RS12665 WP 010643259.1  
 NTDB id 1110 NGFG RS09235 WP 003689817.1  
 NTDB id 1251 GC085 RS07725 WP 011946523.1  
 NTDB id 392185 GA721 RS12665 WP 160243588.1  
 NTDB id 1058 ABD1 RS01615 WP 001274986.1  
 NTDB id 1018 ACIAD RS01685 WP 004920473.1  
 consensus



641  
889  
562  
561  
561  
558  
574  
568  
570  
570

logo

NTDB id 1410 SGL RS13950 WP 010873519.1	KRKSALTCRTCAAELQQEWLDCPYCMTSRFS	672
NTDB id 1028 TT RS08215 WP 011173991.1	.....	889
NTDB id 1168 A1552VC RS11070 WP 000957200.1	.....	562
NTDB id 1293 VP RS12240 WP 005479695.1	.....	561
NTDB id 1401 DSB67 RS12665 WP 010643259.1	.....	561
NTDB id 1110 NGFG RS09235 WP 003689817.1	.....	558
NTDB id 1251 GC085 RS07725 WP 011946523.1	.....	574
NTDB id 392185 GA721 RS12665 WP 160243588.1	.....	568
NTDB id 1058 ABD1 RS01615 WP 001274986.1	.....	570
NTDB id 1018 ACIAD RS01685 WP 004920473.1	.....	570
consensus		

- non conserved
- similar
- ≥ 50% conserved